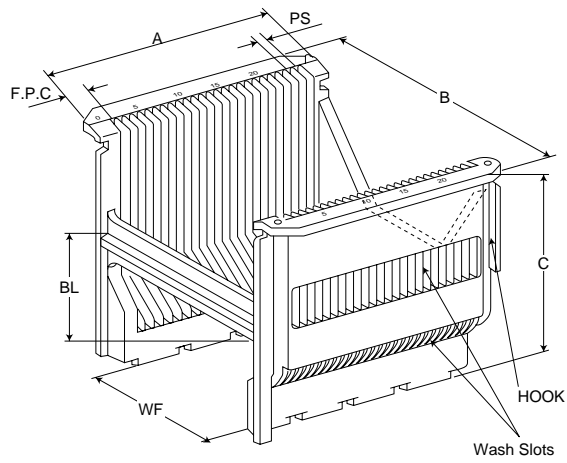


# ウェハーキャリア 7-177-01 ~ 28

## 外観図



## 寸法表

(単位: mm)

コード	型番	A	B	C	FPC	BL	WF	PS	PF
-01	KM-20	142.1	67.8	59.0	13.97	37.0	34.0	4.76	1.3
-02	KM-25	142.24	78.0	73.2	13.97	48.6	48.6	4.76	1.6
-03	KM-25-51	142.24	76.0	73.2	13.97	48.5	48.5	2.38	0.7
-04	KM-30	142.24	103.0	83.0	13.90	62.5	38.5	4.76	1.6
-05	KM-30N	142.24	102.8	82.6	13.97	62.5	38.9	4.76	1.4
-06	KM-40N	142.24	125.5	114.3	13.97	61.0	61.0	4.76	1.6
-07	KM-40MBP	142.24	153.0	145.5	13.97	107.3	76.2	4.76	1.6
-08	KM-40NA	142.24	125.5	114.3	13.97	-	61.0	4.76	1.6
-09	KM-50NA	142.24	153.0	145.5	13.97	95.0	76.2	4.76	1.6
-10	KM-60NA	142.24	187.0	165.0	13.97	-	89.0	4.76	1.6
-11	KM-80NA	142.24	250.0	200.0	19.05	-	120.0	4.76	1.6
-12	KM-50MN	142.24	153.0	146.0	13.97	108.3	108.0	4.76	1.6
-13	50MASK	142.1	68.0	70.0	-	-	36.7	4.76	2.0
-14	60MASK	150.0	78.0	57.0	-	-	47.0	4.76	2.2
-15	100MASK	156.0	125.0	79.0	-	-	85.0	6.35	2.8
-16	125MASK	156.0	153.0	115.0	-	-	85.0	6.35	3.0
-17	150MASK	142.0	187.0	165.0	-	-	132.7	9.52	3.5
-18	AM-100	142.24	125.5	120.0	-	-	62.0	4.76	1.8
-19	K-15	151.0	58.0	45.0	-	-	24.0	4.76	2.0
-20	K-20	150.0	69.0	54.0	-	-	31.0	4.76	1.2
-21	K-30	154.0	92.5	83.2	-	-	49.0	4.76	1.6
-22	K-30-52	152.0	94.0	83.0	-	-	38.5	2.38	0.7
-23	K-40	155.0	124.0	112.0	-	-	60.3	4.76	1.76
-24	K-40-52	155.0	120.0	115.0	-	-	72.0	2.38	0.6
-26	KM-60PN	142.24	187.0	165.0	13.97	128.4	89.0	4.76	1.6
-27	KM-50PN	142.24	153.0	145.5	13.97	107.3	76.2	4.76	1.6
-28	KM-30P	142.24	94.0	82.0	13.97	64.0	38.5	4.76	1.6

PF = 溝底巾